

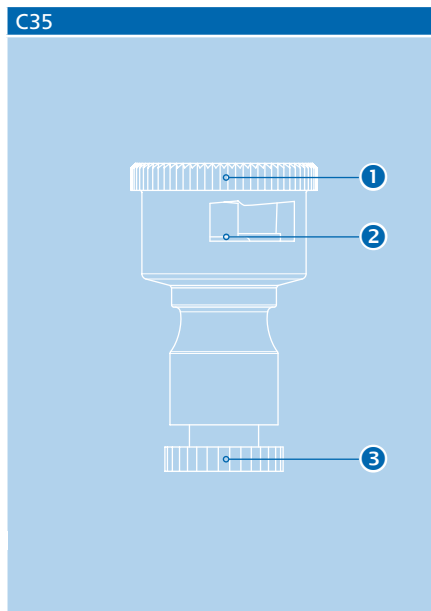
# Connector™ Luer Lock | REF C35



## Connector™ Luer Lock

The Connector is attached to IV lines for closed administration of hazardous drugs. Connector Luer Lock C35 mates with the PhaSeal Injector Luer Lock N35 and provides a route for safe drug transfer via injection or infusion.

## ASSEMBLY DRAWING



## BILL OF MATERIALS

| Pos. | Components     | Material                      | Characteristics | Qty |
|------|----------------|-------------------------------|-----------------|-----|
| 1    | Housing        | Polypropylene (PP)            | White           | 1   |
| 2    | Membrane       | Thermoplastic Elastomer (TPE) | White           | 1   |
| 3    | Protective cap | Polyethylene (PE)             | Grey            | 1   |

## PHYSICAL CHARACTERISTICS

| REF / Art. no. | External fitting | Dimension length | Dimension width  | Connector internal volume | Packaging: User box | Packaging: Transport box |
|----------------|------------------|------------------|------------------|---------------------------|---------------------|--------------------------|
| C35            | Luer Lock        | 26 mm (1.02 in.) | 17 mm (0.67 in.) | 0.1 ml                    | 50 pcs              | 200 pcs                  |

