

# L Connector™ | REF C90



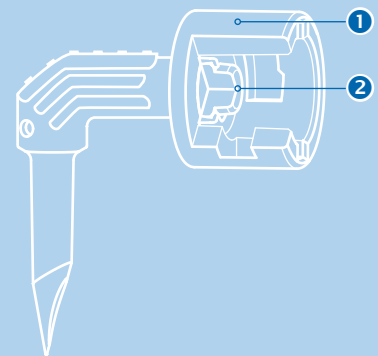
## L Connector™

The L Connector provides a dry connection to semi-rigid plastic containers or glass bottles for closed addition of hazardous drugs. PVC and latex free.



## ASSEMBLY DRAWING

C90



## BILL OF MATERIALS

Pos.	Components	Material	Characteristics	Qty
1	Connector housing	ABS	White	1
2	Membrane	Thermoplastic elastomer (TPE)	Natural opaque	1
3	Protective cover	Polypropylene (PP)	Natural opaque	1

## PHYSICAL CHARACTERISTICS

REF / Art. no.	Dimension length	Dimension height	Internal volume	Packaging: User box	Packaging: Transport box
C90	34 mm	31.6 mm	0.14 ml	50 pcs	200 pcs